

# Technical Specification OMS – Hypodrive EC 2-25 Lift

( Technical modification reserved, update 05/2017 )



## Gear:

Input revolution, max.:  $n = 1800 \text{ min}^{-1}$  \*)  
 Efficiency :  $\eta_{\text{nom}} \geq 96 \%$   
 Typical backlash range: 4 bis 8 arc. Minuten

sound pressure level ( $n \leq 1.500 \text{ min}^{-1} / 2,6W$ ):  $L_{p,A} = 65 \text{ dB(A)}$

\* typical, measured on OMS power load brake in acoustic chamber driven by frequency inverter, load and speed corresponding to constant travel speed. Depending on the construction, these values may vary.

Gear ratio	I	18,71	24,01	
Output shaft max. torque	T	4400Nm	5400Nm	
Max. axle weight		80kN		
For car load up to / by suspension	Q	6000 kg / 4:1	2500 kg / 2:1	1600 kg / 1:1
For car speed up to / by suspension	v	0,6 m/s	1,6 m/s	2 m/s

## Motor :

(for frequency converter only)  
 Three phase induction motor 4-pole, IP 54, motor protection: PTC  
 Type / diameter: Typ: 200 / B= 305  
 Motor-nominal torque up to:  $T_{\text{nom}} = 250 \text{ Nm}$

## Brake:

safety double action shoe brake  
 2 solenoid coil, select common or separate

## Traction sheave:

Diameter:  $D=400, 450, 500, 560, 650\text{mm}$  \*)  
 Diameter max. :  $D = 800\text{mm}$   
 Weight app.:  $G= 378, 46, 52, 59, 86\text{kg}$  \*)  
 Width:  $C = 132\text{mm}$   
 Rope diameter:  $D_s = 10, 11, 12, 13\text{mm}$  \*)  
 Number of ropes:  $n = 4-7$  \*)

\*) others on request

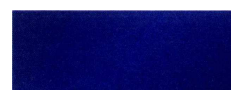
## Dimensions:

see dimension sheet

Motor Typ	$P_{\text{nenn}}$ kW	$T_{\text{nenn}}$ Nm	$N_{\text{nenn}}$ $\text{min}^{-1}$	F Hz	A mm	G app.kg
200	30	200	1470	50	1155	700*
200	36	200	1765	60	1155	700*
180L	26,3	170	1470	50	1144	700*

Only motor alignment B1 and B3 possible ! ( look order sheet )

\*) with traction sheave  $D=650\text{mm}$ ,  $b=130\text{mm}$



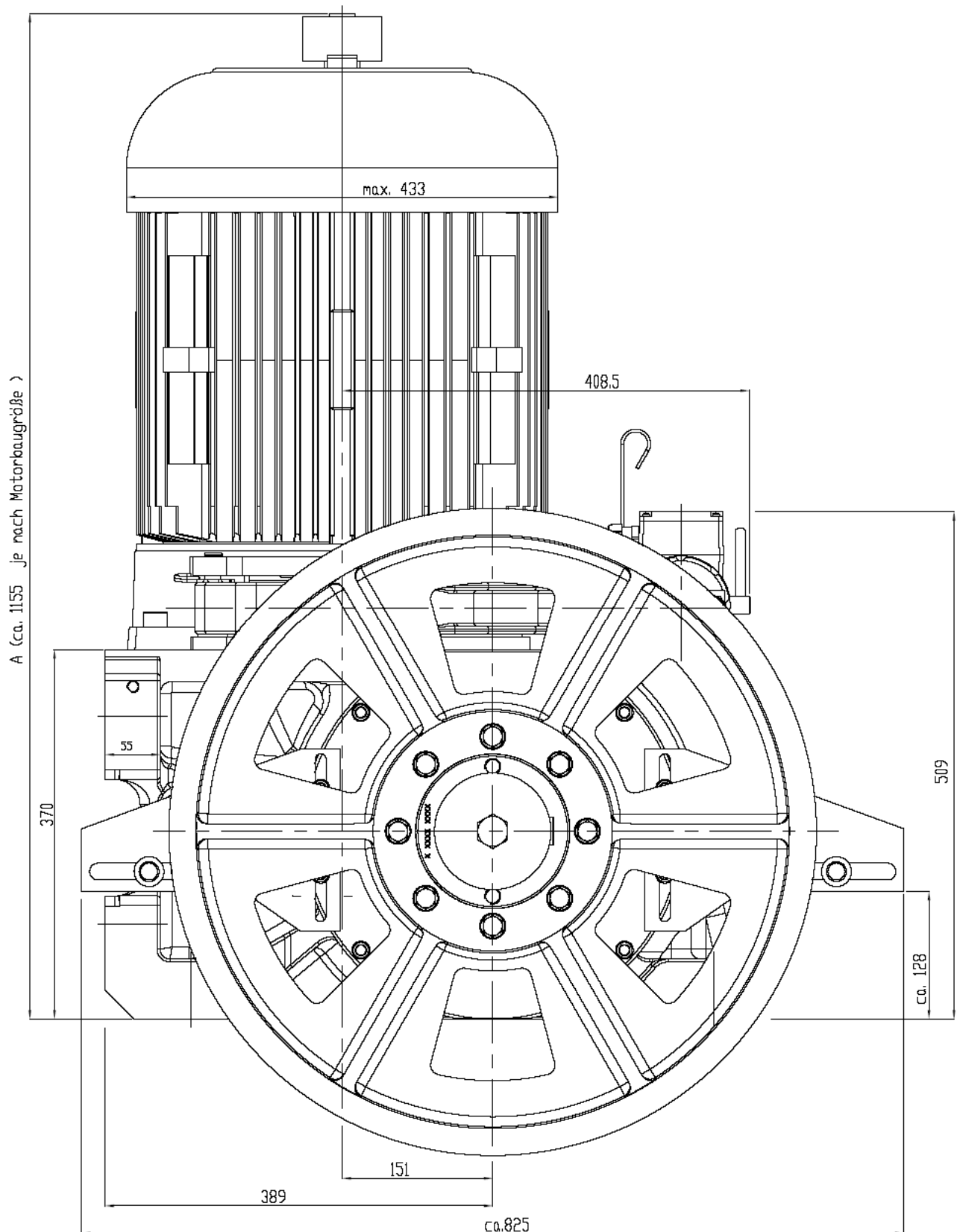
# Technical Specification OMS – Hypodrive EC 2-25 Lift

( Technical modification reserved, update 05/2017 )



ANTRIEBSTECHNIK

## Dimension sheet EC 2-25 Lift

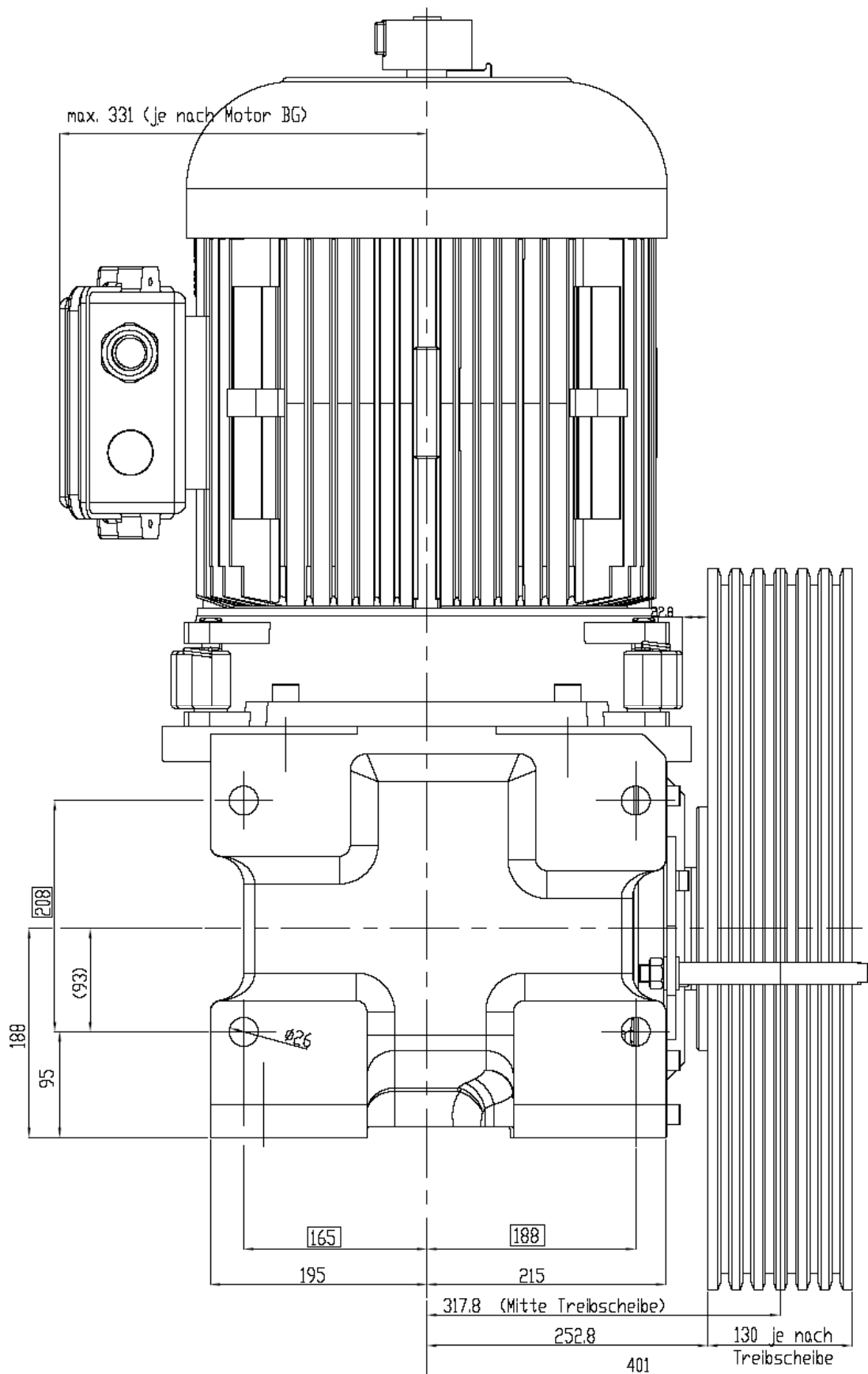


# Technical Specification OMS – Hypodrive EC 2-25 Lift

( Technical modification reserved, update 05/2017 )



ANTRIEBSTECHNIK

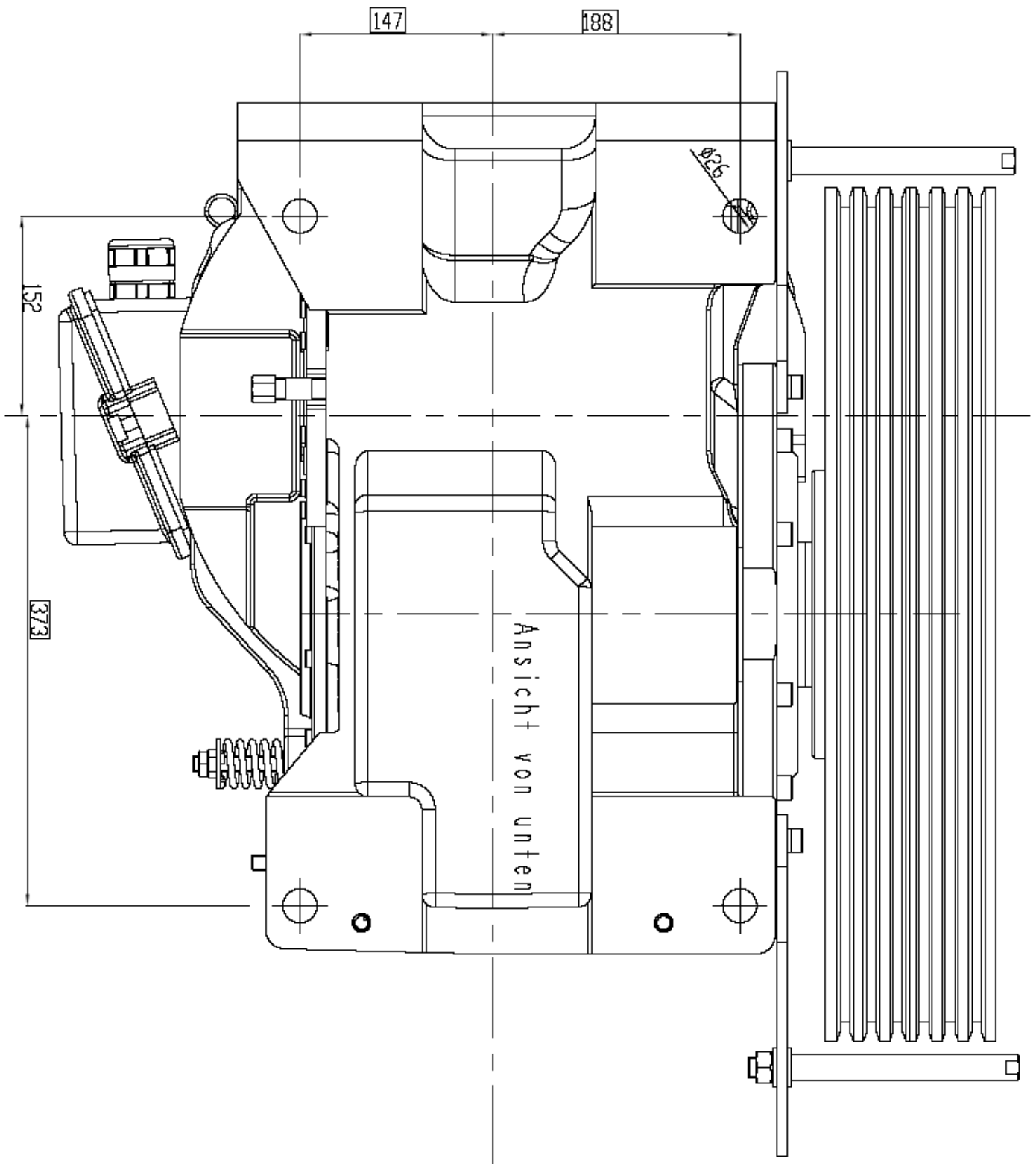


# Technical Specification OMS – Hypodrive EC 2-25 Lift

( Technical modification reserved, update 05/2017 )



ANTRIEBSTECHNIK



# Technical Specification OMS – Hypodrive EC 2-25 Lift

( Technical modification reserved, update 05/2017 )



ANTRIEBSTECHNIK

